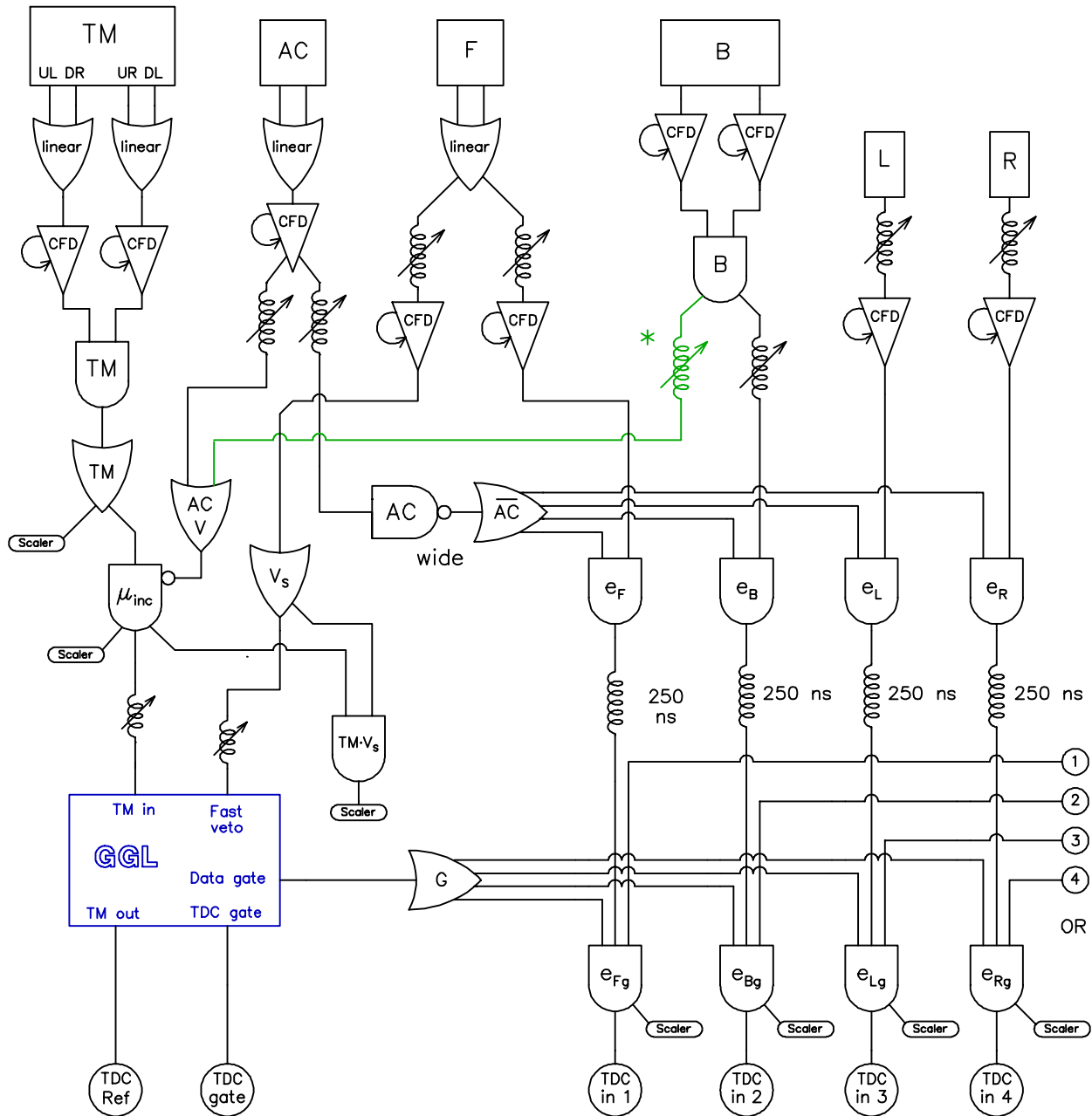


DR electronics for LF/ZF



*) Prevents a step in the backwards histogram at 30 to 50 ns

Order of timing adjustment:

- 1) Fine adjustment of multiple PMT signals on each single counter.
- 2) AC to match TM at μ_{inc}
- 3) B to match TM at μ_{inc}
- 4) F veto to match TM at $TM \cdot V_s$
- 5) μ_{inc} or V_s so V_s vetos events at GGL (3–5 ns before μ_{inc})
- 6) F, B, L, R to match \overline{AC} at e_F etc.