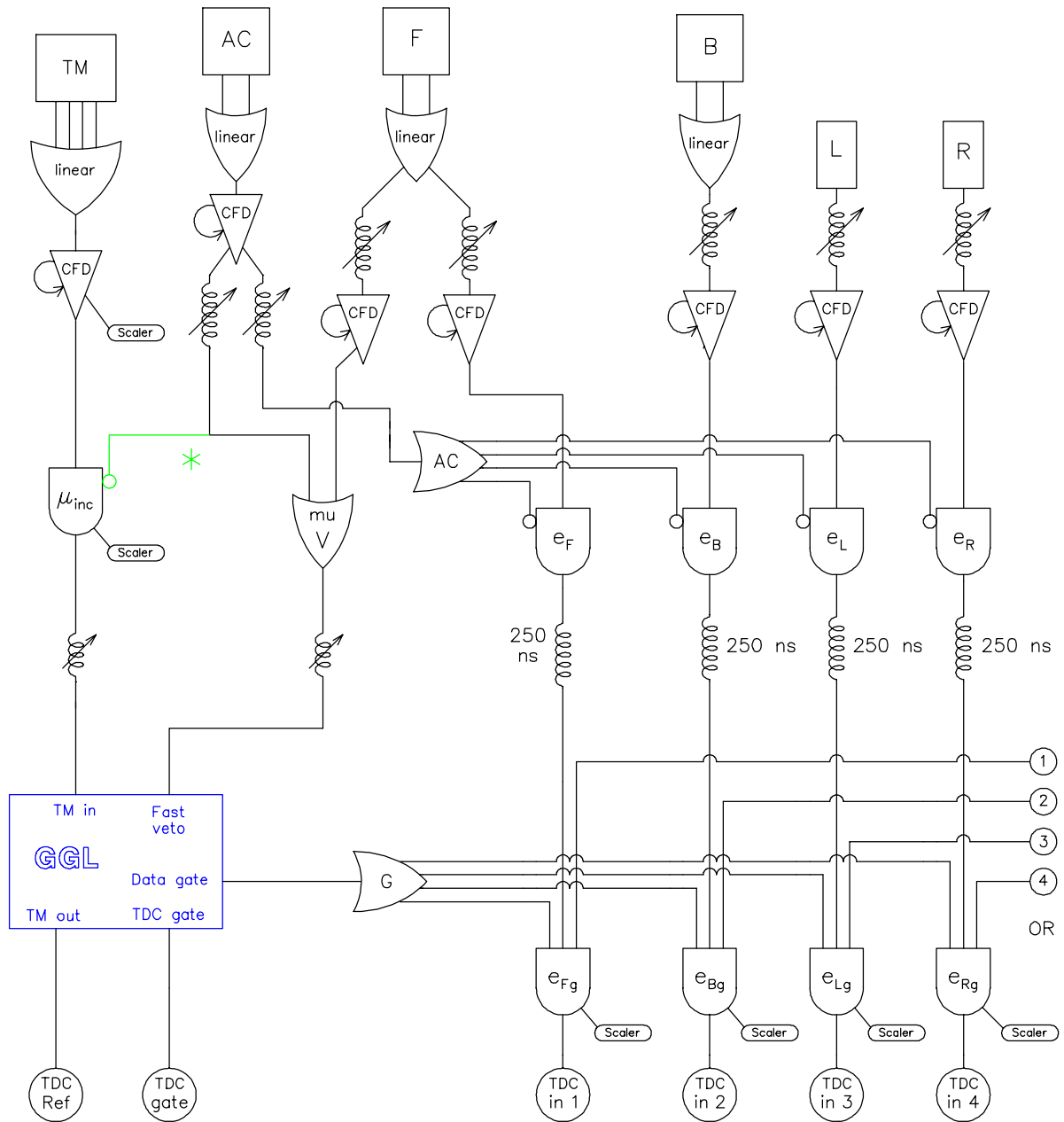


DR Electronics for simple Forward veto



*) If there is a step over the first 50 ns in the Backward histogram, let the active collimator veto μ_{inc} rather than the GGL TM-veto