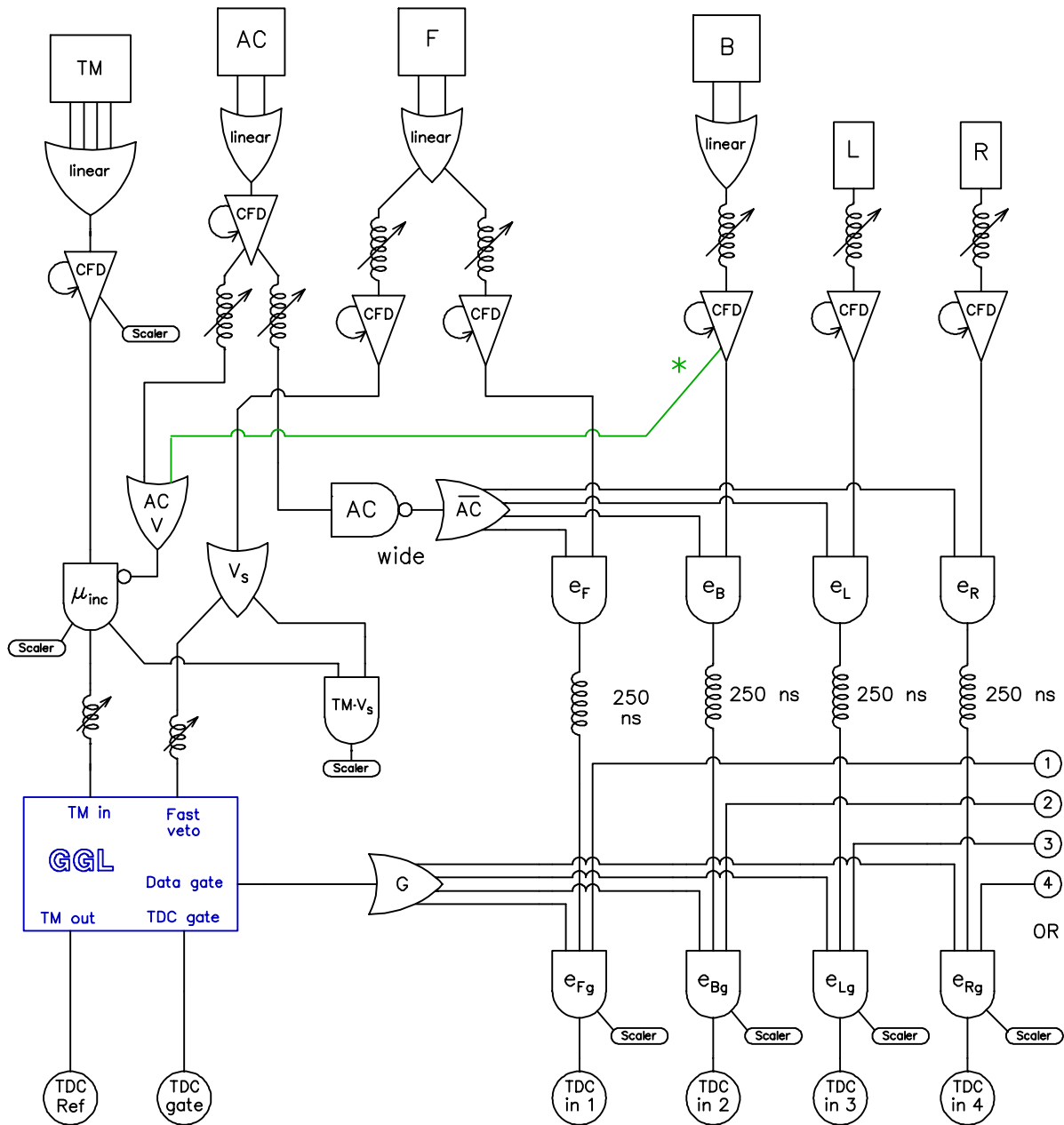


DR Electronics for high TF and best timing



*) Prevents a step in the backwards histogram at 30–50 ns.

Order of timing adjustment:

- 1) Align multiple PMTs for each counter
- 2) Adjust AC to match TM at μ_{inc}
- 3) B to align with AC and to match TM at μ_{inc}
- 4) FV to match TM at $TM \cdot V_s$
- 5) μ_{inc} and/or V_s to match at GGL (V_s 4 ns before μ_{inc})
- 6) F, B, L, R to be within \overline{AC} at each of e_F, e_B, e_L, e_R