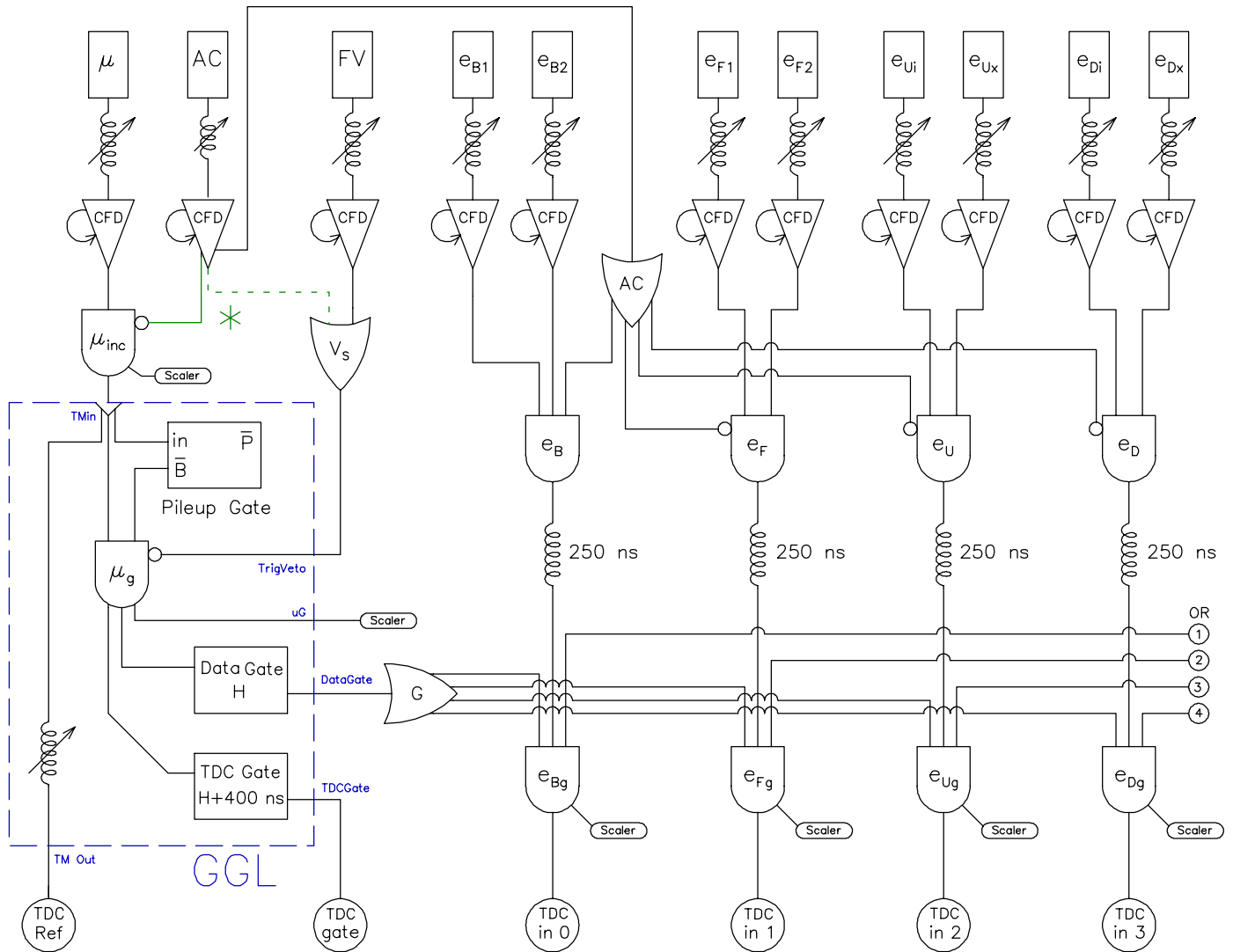


## Wiring logic for side-access $\mu$ LB



### TIMING:

- 1) Set AC to a moderate delay
- 2) Adjust  $\mu$  to be vetoed by AC (at GGL or at  $\mu_{inc}$ )
- 3) Adjust FV to veto  $\mu_{inc}$  at GGL
- 4) Adjust each e telescope to match AC

\*) AC may veto either  $\mu$ -stop or  $\mu$ -gated, depending on which problem is worse: If too many muons scatter off the edge of the hole in the AC to stop in the  $\mu$  counter, then the AC should veto  $\mu_g$  (fan in with FV). Usually, the bigger problem is that some decay positrons trigger the  $\mu$  counter, causing a "step" at early times; then the AC should veto  $\mu_{inc}$ .